

---

# 2.5"/3.5" SATA HDD MEDIA PLAYER

---

**MODEL:EN391TV-SLH**

---

## USER MANUAL



Model No: EN391TV-SLH

Name: USB Docking 2.5"/3.5"SATA HDMI HDD Multimedia Player with Card Reader

**V:090226-3**



## CONTENT

1.	Main information -----	2
2.	Assistant-----	3
3.	Feature-----	4
4.	Specification-----	5
5.	Accessories-----	6
6.	Front panel and rear panel-----	7
7.	Remote control -----	8
8.	HDD/SD/MMC Card install and remove-----	9
9.	HDD partition and format -----	11
10.	How to connect -----	12
11.	Menu -----	14
12.	Troubleshoot -----	18

## **1 Main information**

---

First we congratulate you on buying this product. We believe you will be satisfied with it. In order to make it in a best working position, please spend a little time on reading this manual carefully.

- I Don't use the product near by heat source. The most suitable temperature to use the item is between 5°C and 35 °C.
- I Don't lay any liquid beside the product. Any liquid leaked in the box may cause terrible damage for the product.
- I Keep around ventilation for the machine so that it can radiate heat routinely.
- I Don't put weight on the power cable.
- I Be sure clean the product with soft cloth without any solvent such as benzene or alcohol.
- I Welcome to our website: [www.dayflycn.net](http://www.dayflycn.net) for more information.

## **2 Assistance**

---

The states below are out of warranty:

- I Damage caused by using improper accessories or products.
- I Damage caused by abnormal operation, that mean does not follow the manual to operate.
- I Damage caused by accident or any irresistible reasons.
- I Normal consumables: such as battery.

If the product has any problem, please ask professional engineer to check if:

- power adapter or plug is damaged
- there is foreign matter enter the box
- the machine is in the too much wet place
- the machine was dropped and the appearance was damaged seriously

**Please don't try to maintain the machine by yourself!**

## **3 Feature**

---

### **Media video formats**

The product supports video format containing MPEG-1/2/4、 AVI、 VOB、 MPG、 DAT、 MP4、 DivX3/4/5、 XviD. It can also support Preview, fast forward, fast reverse (mute), pause, select play, Divx SUB-Title etc..

### **Music formats**

The product supports popular music formats containing MP3、 WMA、 AAC and WAV. It can show the lyric when you play MP3 music (if the lyric data exist).

### **High resolution pictures**

The product supports popular picture format JPEG. It can also support popular digital camera features like Slide Show Mode, background music, and Zoom Function etc..

### **DVD navigation play function**

The product supports DVD ISO format, that means it can work section play as DVD we used to play.

### **Power off memory play function**

The product has function of memory play. When you are tired of watching or have to leave for something else, you don't want to keep TV power on all the time. However, next time, you want to continue to watch the last program. In order to do that, you just need to press the "power" on the remote control to turn off, and then you can continue to watch the program remained.

### **Connectivity and storage**

Directly connected SATA interface was built in the product, which support most of the 2.5"/3.5" HDD popular in current market. It doesn't need any transfer.

### **HDD File system**

Support FAT16/32、 NTFS file system. Been fixed into the box, the SATA HDD can be connected to PC by USB, at that time, the product works like USB HDD enclosure. Users can store their favorite movies, music and pictures in it.

### **TV**

Connect to TV, users can stay comfortably, enjoying the multimedia entertainment with your family with advanced electronics consumer technical.

## 4 Specification

Storage	
Internal storage	2.5"/3.5" SATA HDD
Storage card	SD/MMC card
Play Formats	
Video/movie	MPEG-1 (.MPG, .DAT)
	MPEG-2 (.MPG, .MPEG, .VOB, )
	MPEG-4 (.AVI, .MP4, )
	DivX 3.11/4/5, (.AVI, .DIVX)
	XviD (.AVI)
	AVI decode audio: MP3, AC3, ADPCM
	VOBSUB: srt,sub,smi,txt,ass,ssa
Music	MPEG-1 Layer 3, 24~320kbps (.MP3)
	AC3 (in the movie)
	Microsoft PCM Wave (.WAV)
	Advance Audio Coding LC (.AAC)
	Microsoft Windows Media Audio WMA7/8(.WMA). No support for WMA9 Pro
	MP2 (.MPA)
Photo	JPEG (.JPG)
Hardware	
Video Output	AV
	YPbPr
	HDMI (576P/1080i)
Audio Output	CX/5.1CH
USB 2.0 Device	480Mbps high speed
Power	Input: AC100-240VAC
	Output: DC 12V
Operation Temperature	0 ~ 40 ℃
Others	
File System	NTFS
	FAT16/32
Language	Multi language

## 5 Accessories



**Remote control**



**MINI USB cable**



**AV cable**



**User manual**



**Power**

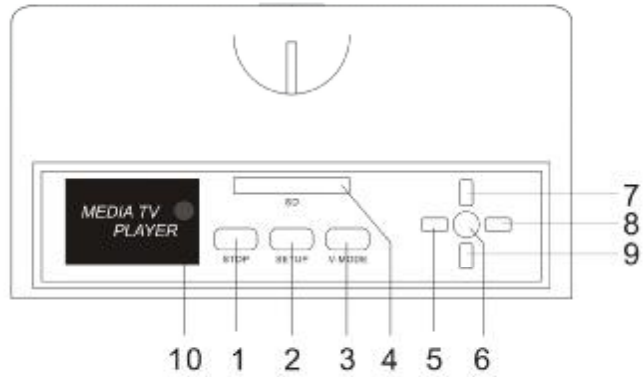


**Drive**

## 6 Front panel and rear panel

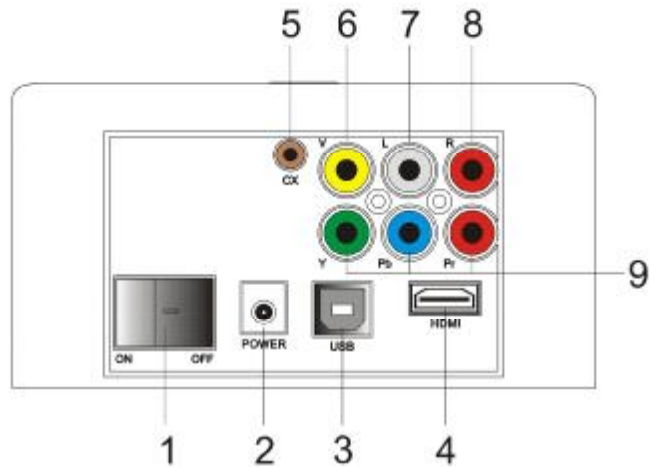
Front panel:

1	Stop
2	Setup
3	V-mode
4	SD/MMC Card
5	Left/VOL-
6	OK
7	Up/preview
8	Right/VOL+
9	Down/next
10	IR receipt



Rear panel:

1	Power on/off
2	Power port
3	USB device port
4	HDMI port
5	CX/5.1CH
6	CVBS port
7	Left CH port
8	Right CH port
9	YpbPr port



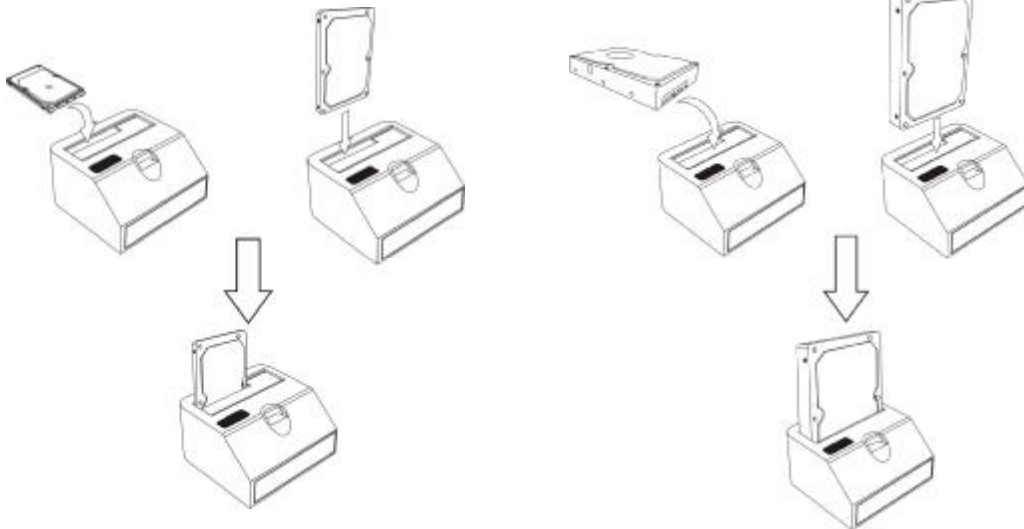
## 7 Remote control

- | POWER: turn on/off
- | MUTE: mute on/off
- | V-MODE: AV/ YPbPr / HDMI switch
- | TIME: time search
- | SUB-T: select SUB title for movie playback
- | PHOTO: enter PHOTO mode
- | MOVIE: enter MOVIE mode
- | MUSIC: enter MUSIC mode
- | FILE: enter FILE mode
- | SETUP: enter/exit system Setup Menu main page
- | ⏪ ⏪ : fast reverse/ photo zoom out
- | ⏩ ⏩ : fast forward/photo zoom in
- | |⏪ ⏪ : play last file
- | ⏩ ⏩| : play next file
- | HOME: return/previous
- | DISPLAY: display file information
- | UP: up/up down 180° rotate image
- | DOWN : down/ left right 180° rotate image
- | LEFT : left/left rotate image
- | RIGHT: right/ right rotate image
- | OK: confirm selection
- | STOP: stop a playback
- | PAUSE/PLAY: play/pause/DVD navigation
- | S-TIME: adjust interval time in real time for music/ photo slide show
- | REPEAT: one/ single folder/ whole repeat mode select
- | S-MODE: slide mode
- | M-SLIDE : enter video/ audio in sync mode
- | ZOOM: zoon in/out
- | AUDIO: music track switch
- | VOL+/VOL- : volume increase/ decrease



## 8 HDD/SD/MMC Card install and remove

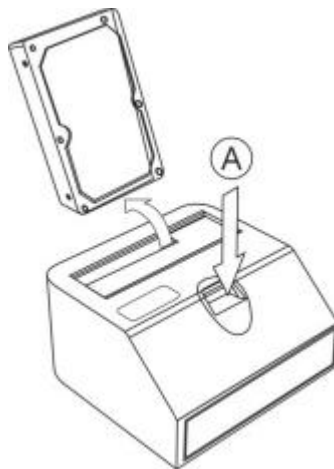
### INSTALL 2.5"/3.5" SATA HDD



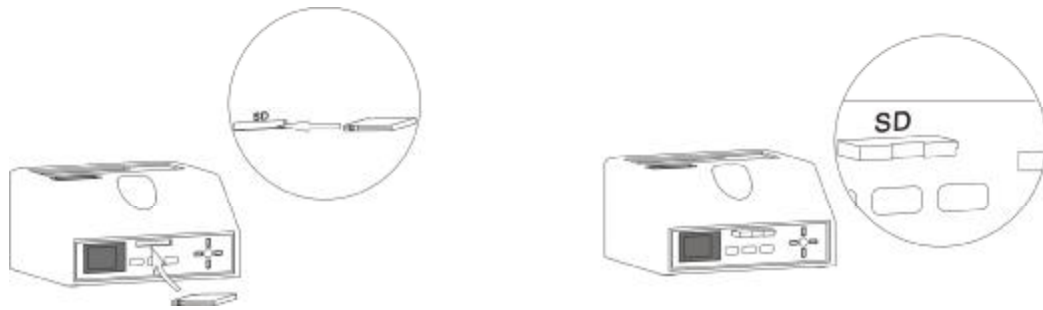
2.5" SATA HDD

3.5 SATA HDD

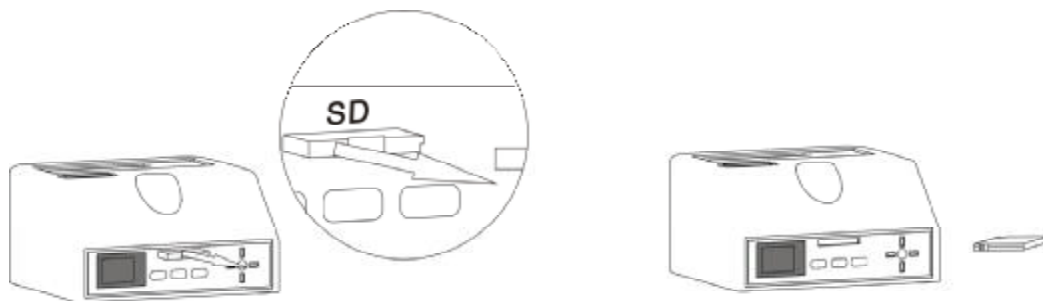
Holding the housing and removing the HDD ( “A” key is for easier HDD removing)



## SD/MMC card install



## SD/MMC card remove



## **9 HDD partition and format**

### **why need to format the HDD**

When you buy a new HDD, please check the HDD partitions blank or not? If the HDD is blank, please format the HDD before you use it.

### **Notice:**

Be careful to divide partition before format HDD. Incorrect operation may cause the computer being unable to be read HDD. Also please be sure the data in HDD need to back up or not? After format, all old data in the HDD will lost.

Besides, the FAT32 HDD partition is limited to 32GB. If it is over 32GB, the system will switch to NTFS mode automatically. If HDD formatting has been finished, you can install the product directly.

### **Under Windows 98SE/ME**

In Windows, click "start" then "run"...; a message box will appear. Type "fdisk" in the opening input box, and then click "enter", a DOS window appear:

- 1 ) Select the fifth line: "Change the current disk", then click "Enter";
- 2 ) Input the number of the last disc, then click "Enter";
- 3 ) Select "Create a DOS partition or a logic partition", then click "Enter";
- 4 ) Select "Create a primary DOS partition", then click "Enter", wait for a moment to check the partition;
- 5 ) After partitions have been fully created and checked, a window appear, please type "O" to accept using the maximum capacity act as DOS main partition. You can adjust capacity you like with DOS's hint, and then click "Enter";
- 6 ) The full check for HDD is beginning again. After it is finished, DOS partitions' creating is completed;
- 7 ) Press "ESC", there is a hint to ask you to restart Windows. After it is finished, click "ESC" again, then input "EXIT" to return to control line mode, then click "Enter" to confirm. Pull it out and plug it in your player. A new volume label appears on "My Computer";
- 8 ) Click the mouse Right button, then select "Format". After it finished, the HDD is available.

### **Under Windows 2000/XP**

Under Windows 2000 or XP, you can use Disk Management to create partition and format. Click "My Computer" and then select "manage". A window appears. Click "disc management", the disc list appears on the right side of the window. Click the mouse Right button, and then the submenu appears. Then you can choose: partition creating, preferences and help. Choose "partitions create", the message for help appears.

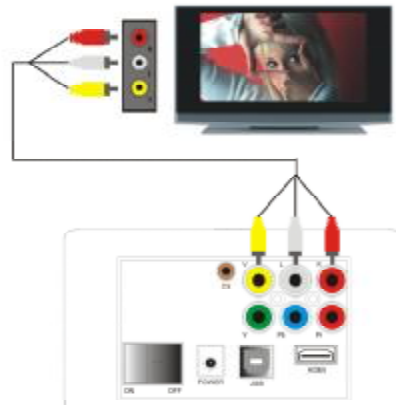
- 1 ) Follow the hint on the left side, click "next";
- 2 ) Select partition types you want. "Extended Partition";
- 3 ) Select the partition capacity you want, if you just want only one part, click "next";
- 4 ) Select disc character ( Windows will give you one automatically), then click "next";
- 5 ) Select "FAT32" or "NTFS", then click "next";
- 6 ) Complete creating and formatting the partition, click "over".

## 10 How to connect

### AV connect

Connect AV interface both the player and TV with AV cable (refer to the picture on the right), and then turn on the power of player and TV.

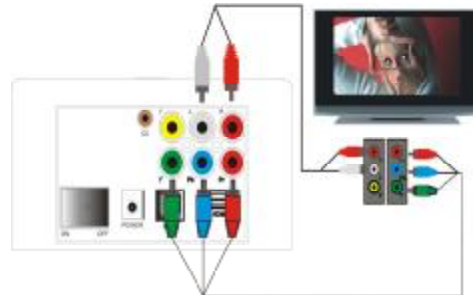
Please wait a second after the system starts up. Switch the mode of TV to AV IN mode with TV remote control or TV control panel, a welcome interface will display on the TV and then enter into the home menu. System start-up complete now.



**If there isn't any display on TV screen after 10-20 seconds , please press key "V-Mode" on the remote control or panel of the player to switch to AV video output mode(wait several seconds after that). It is very important that"V-mode" is used to switch video output modes, which alter among AV/YPbPr/HDMI. If there isn't any display on TV screen after connecting with the player, please press "V-Mode".**

### YPbPr connect

Connect Ypbpr interface both the player and TV with Ypbpr cable, meanwhile connect red and white connectors of AV cable for sound signal (refer to the picture on the right). Please wait some seconds while the file loading process. Press "V-mode" key in your remote control or on the front panel to visualize the image in you screen. Then switch the TV mode to Ypbpr output mode with TV remote control.



### HDMI connect

If your TV set has HDMI port, you can connect the player to it with HDMI cable. For the connecting and switching way, please refer to YpbPr's.



### **Coaxial connect**

If your stereo equipment has coaxial port, you can connect it to your product with coaxial cable, *then choose 5.1 channel in setup and SPDIF RAW output mode*, now you can enjoy the music rock with 5.1 channel output.



### **PC connect**

Connect USB device port to PC USB port, ensure 2.5"/3.5" HDD in the product, then power on, you can operate it as a HDD enclosure.



## 11 Menu

When you turn on the player, there will be a welcome interface showing on the screen, see the picture (it costs some time to read the program at the beginning, you should wait for a moment)

Then appear the picture on the right side:

The player supports multi partition as well as SD card and U-disc. At this moment, the preparation work is finished. You are able to enjoy the brand-new experience it brought to you. Select the partition that you want to enter, the menu will provide you MOVE, MUSIC, PHOTO, SLIDE, FILE to choose. Users can choose what you want by pressing "LEFT" or "RIGHT" key on the panel or remote control.

Press "HOME" can return to last directory, or return to "MENU" mode except "SETUP" mode.



Under "MOVIE" mode, the player can play video files only, under "MUSIC" mode, the player can play audio files only, under "PHOTO" mode, the play photo files only, under "FILES" mode, files are not managed by filter, so that you can see all types files. Under "SLIDE" mode, you can see pictures while enjoy music.

**Under any mode of MOVIE, MUSIC, PHOTO, SLID,FILE, you can use the fast way to enter movie mode by pressing "MOVIE" on the remote control, to enter music mode by pressing "MUSIC", to enter photo mode by pressing "PHOTO", to enter audio and video in sync by pressing "M-SLID".**

### Music Appreciation

Under MUSIC mode, you can choose a file you like , press "OK" to play, when play music, you can:

Press PLAY to pause or continue;

Press "⏩" to fast forward at the speed of X2 à X4 à X8 à X16 times as normal speed;

press "⏮" to fast reward at the speed of X2 à X4 à X8 à X16 times as normal speed;

Press "⏪|" to play next music;

Press "|⏩" to play last music;

press "REPEAT" to repeat the option: "One" is to repeat one song, "Single" is to repeat single file; "Folder" is to repeat all the files under the directory; "DISC" is to play all;

Press "AUDIO" to switch the music track.

The player supports lyric show, but the title of LRC must be the same as the music (sometimes, the music title you downloaded from PC is different from LRC title, at that



time you need to modify by yourself), or the lyric can't be shown.

### **Play movie**

When you select MOVIE mode on the home menu, you can use UP, DOWN, OK on remote control or front panel to select the files you like. You can press "HOME" to return to home menu. If selected one, press "OK" to start.

When you play movie:

Press "PLAY" to pause or continue;

Press "⏮ ⏮" to Fast forward at the speed of X2 à X4 à X8 à X16 times as normal speed;

press "⏭ ⏭" to fast reward at the speed of X2 à X4 à X8 à X16 times as normal speed;

Press "ZOOM" to zoom in à X1.5à X2à X3.



TIME is time search function. After you press "TIME", "Title --/-- Time--:--:--" input box appears on the top left corner, then you can press UP and DOWN to decide beginning to play from what time, then press "OK" to enter. If you don't want to preset the time, press "TIME" again to exit.

Press "⏮ ⏮|" to play next file;

Press "|⏭ ⏭" to play last file;

Press "SUB-T" to show or close sub title (the key is invalid without sub title);

Press "REPEAT" to repeat the option: "One" is to repeat single song, "Single" is to repeat single file; "Folder" is to repeat all the files under the directory; "DISC" is to play all;

Press "DISPLAY" to show playing information;

Press "AUDIO" to switch the audio track;

Press "STOP" to stop playing.

### **Photo appreciation**

When you select PHOTO mode, you can use UP, DOWN, OK on remote control or front panel to select the photos and pictures you like. You can press "HOME" to return to last directory.

When play pictures: press "LEFT" , the picture will control rotate from 90° à 180° à 270°à 0°; press "RIGHT", the picture will clockwise rotate from 90° à 180° à 270° à 0°; press "UP", the picture will flip up and down, press "DOWN", the picture will flip left and right.



Press: "ZOOM", the playing picture will be selected, whose size can be changed by

pressing  $\leftarrow$  and  $\rightarrow$  to big or small.

Press "S-TIME" can decide how long the picture will be shown, you have 3 options: 5S, 10S, and 15S. (5S is mean 5 second)

Press "S-MODE" to select slide mode: None (normal showing), Top to button, Button to top

If not enter PHOTO mode, you can open picture preview function in SETUP, when you enter PHOTO mode again, you will see the picture preview function as shown, then you can press  $\leftarrow$  and  $\rightarrow$  to preview through page after page, press UP, DOWN, LEFT, RIGHT to select the picture you like, press "OK" to enjoy.



### **Tone-picture synchronization**

You can select "SLIDE" into the menu or press "M-SLIDE" to enter audio and video play in sync directly. Press "PAUSE/PLAY" one time to stop the picture playing, to press the second time to stop the music playing, to press the third time to play both music and picture. Press "STOP" to stop playing. Press "HOME" to return to last directory. "ZOOM" is unavailable under this mode.



*Notice: under 1080i mode, the function is invalid.*

### **File management**

When you enter FILE mode, press UP, DOWN, and OK to select what you want, or press HOME to return last directory. Under FILE mode, you can play files of all the media formats, which include music, movie and picture files.



Under FILF mode, it has the function of DVD navigation, playing DVD ISO file as usually. First, put your DVD ISO files into a folder though connecting PC, then enter VIDEO-TS file in the new folder under FIEL mode, next press PAUSE/PLAY to work as DVD navigation. After the Power off, memory **play function is unavailable under DVD navigation mode.**



**Warm Suggestion:** The product has automatic energy-saving function. If you don't operate the HDD for a while, it will enter sleep mode by itself. When you want to read the HDD again, please be patient to wait for a minute because the product needs some time to read your last operation on the HDD, don't be hurry, otherwise, it is possible to cause the product breaking down.

## Setup

We suggest new user entering "SETUP" mode. Select setting in order to enjoy best service from player.

Press "SETUP" to enter SETUP, the player will provide you data selected. You can select by pressing "RIGHT" and "LEFT" on remote control or front panel to set it up.

When cursor stopped on one icon, the data for you to select appear on the bottom of the screen. You can use the guide key on remote control or front panel to set parameter you like, and then press "OK" to confirm.



### **GENERAL setup:**

- I . OSD language: select English, French...;
- II Screen Saver: Screen saver on-off select,
- III ROM VERSION: Firmware Version inquires.

### **Audio setup:**

- I . Downmix: CH channel output mode selections are analog 2CH, stereo, 5.1CH. Notice: 5.1CH can't support .MP4 files.
- II . Audio out: Audio output mode selections are analog、SPDIF RAW、SPDIF PCM
- III . LPCM output: SPDIFmodulating frequency selections are 48k、96k.



### **Video setup:**

- I . TV Display: select display effects: full screen, mailbox, widescreen;
- II . TV Type: select TV systems: AUTO、 PAL or NTSC ;
- III.Video output: select video output AV、 YPbPr 、 720P 、 1080I



### **PREFERENCES setup:**

- I . Defaults: Return to factory default setting;
- II .Slide Time: Slide show interval select, it could be 5S, 10S, 15S. It is used to set each picture show time (5S is mean 5 second);
- V.Slide Mode: picture slide mode select, which contain Top To Bottom, Bottom To Top, Random etc.;
- VI.Photo Digest: Picture preview on-off select;
- VII.Power Resume: Memory play on-off select.



**Notice: After setting please be sure to press "OK" to confirm ,those setting will be write into system, so that all the setting is available. After that you can press SETUP to return to home menu mode.**

## **12 Troubleshoot**

---

### **Remote control is unavailable**

- I Be sure the remote control aim at the receipt on the front panel of the player.
- I Shorten distance between remote control and player.
- I Change battery in remote control.
- I Be sure the battery polarity is on the right position.

### **Keypad is unavailable**

- I Reset it, or unplug power cable, wait for 10 seconds .and restart it.

### **No power**

- I Check if the power plug connect is ok?. And restart it.

### **No image**

- I Refer to the correct video output way in product manual
- I Check if TV enter proper output mode
- I Check the cable (AV,YPbPr,HDMI) is in right position.

### **No sound or abnormal sound**

- I Increase volume
- I Check the audio cable is in right position .Check if audio cable is damaged or not and check if connecting is correct or not.

**NOTICE:** We don't allow customers to upgrade the player by themselves because any careless or unprofessional operation may cause the product breaking down. This kind of damage is out of guarantee. However we will provide the firmware to our distributors, so if it is necessary for you to upgrade your player, please ask your vender for the data and upgrade under their guide.